

Installation and User Manual

Index

A. Introduction	03
B. Installation guide	04
C. Disposal	05
D. Description of the control	05
E. Operation of the control	06
F. Assembly instructions	09
G. Eco Design	11

A. Introduction

This product is an advanced digital thermostat for electric towel with fluid heat transfer and control of environmental temperature through ambient sensor. Is composed by a fixed unity (placeable in the left or in the right of the towel warmer) and its provided of a particular heating element that can rotate his body of 350°. the backlight display offers a wide visual of informations about time , mode and temperature.

- Eco-design Directive for Energy-using Products, 2005/32/EC (<0,5W).
- EN 62233:2008
- EN 55014-1:2006 + A1:2009 + A2:2011
- EN 61000-3-2:2014
- EN 61000-3-3:201

VERY IMPORTANT

- Read the installation and use manual before mounting the equipment.
- Observe the warnings carefully.
- Install the equipment in a place where air can circulate.
- It is advisable to assemble it by qualified personnel.



OPERATING MODES

Function mode: Comfort, Night, Antifreeze, Crono, Timer 2h, Stand -by.

- In "Comfort" mode: the electronic control maintains the set temperature at the value set by the user.
- In "Night" mode: the electronic control maintains the ambient temperature at an inferior value respect at "Comfort" temperature.
- In "Antifreeze" mode: the electronic control maintains the temperature over 7°C.
- In "Timer 2h" mode: the electronic control activates the heating element for 2 hours, unconditionally by set temperature. At the end of this period, the thermostat operates again with the previously set mode. During the 2 hours, for security reasons, the ambient temperature can't go higher than 32°C.
- In "Crono" mode : the electronic control operates according to a daily program with weekly repetition, the program can be setted by the user.
- In "Stand-by" mode: the heating element is deactivated but th electronic control is operative.

FURTHER FEATURES

- Big backlit display shows: hour, setted temperature and function/mode.
- 3 presetted daily programs and 1 program settable by the user.
- "Open window relevation" Function: this function deactivates the heating element for a max of 30 mins if there is an open window in the room, allowing an energetic saving.

TECHNICAL SPECIFICATIONS

Functions	Comfort, Night, Antifreeze (7°C), Stand-by, Crono, Timer 2h, ECO, Open window relevation, ASC
Certifications	CE
Voltage and Frequency	230 VAC - 50 Hz
Temperature control range	7°C + 32°C
Insulation Class	Class II
IP Protection	Fixed Unity IP44
Dimensions	Fixed Unity 71 x 97,5 x 47 mm

Notes

Reparations: Must be conducted by an authorized assistance center

Compatibility with others products: Contact your supplier.

Warranty: 2 years of warranty from purchasing date.

Warranty doesn't responds of this cases:

- Products damaged by the customer;
- Products that have been installed or used by the customer not in according with this manual;
- Products that have been modified by the customer.

WARNING RISK OF ELECTRIC SHOCK!**Disconnect power before proceeding with installation.**

- Keep this instruction sheet carefully and read it carefully before using this device.
- This device has been designed exclusively for use on towel warmers.
- This thermostat is used to heat the liquid contained inside a heated towel rail in combination with a heating element. Any other use is prohibited.
- Before use, check that the mains voltage is the same as that of the thermostat (see technical specifications).
- Only use heating elements suitable for the type of towel warmer used.
- Disconnect the power supply before cleaning or maintenance.
- In case of damage to the power cable, switch the device off and do not tamper with it. Damaged power cables can only be replaced by the manufacturer or an authorized service center. Failure to comply with the above can compromise system security and void the warranty.
- Store and transport the heating element only in protective packaging.
- Replacement of the heating element can only be performed by the manufacturer.
- The device can be used by children aged over 8 years and by persons with reduced physical, sensory or mental abilities, under surveillance. Children must not play with the appliance.
- User cleaning and maintenance must not be carried out by children without supervision.
- When using the towel rack to dry towels, try not to place more than 2 in the case of towel rails whose powers are between 350-500W or more than 4 in the case of towel rails whose power is between 600-800W and that they are not superimposed, that is, one on top of the other.

B. Installation guide (For use by installer only)**WARNING:**

Disconnect the appliance from the mains before installation or maintenance.

Disconnect the power supply before proceeding with installation.

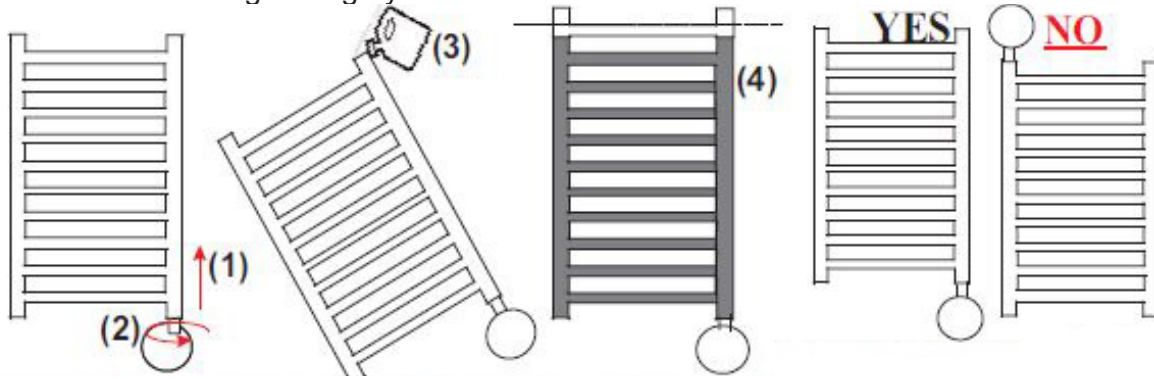
The installation has to be performed only by authorized personnel.

Protect the device with a 30mA differential switch (RCD).

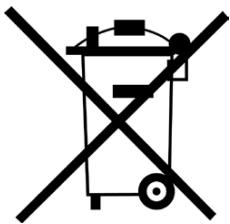
1. Insert the heating element into the threaded opening in the lower part of the heated towel rail.
2. With a 22mm wrench, adequately tighten the resistance with the electronic control to the body of the towel heater.
3. The special gasket ensures the tightness of the assembly and allows a slight additional twist in order to align the thermostat with the towel warmer.
4. Place the towel warmer in an oblique position (fig 3) making sure that the upper opening of the towel warmer is in the highest part. N.B. Do not place the towel warmer on the electronic control of the element heating.
5. Fill the towel warmer with the appropriate liquid.
6. Position the towel warmer vertically and check the level of the internal liquid fig.3.
7. Make sure of the correct tightening between the towel warmer and the heating element.
8. Connect the device to the power supply and activate the heating (In this phase do not close the upper opening of the towel heater!).
9. Set the maximum temperature and observe the increase in the liquid level.
 - For expansion, the liquid may come out of the towel warmer.

-Remove the excess liquid (with caution to avoid burns) in order not to wet the thermostat and make sure that the liquid does not reach the edge.

10. When the liquid level stops rising, wait another 5 minutes and switch off.
11. If the towel warmer should be refilled, do not wait until it cools down (always paying attention to the temperature of the internal liquid).
12. Close the upper opening of the towel warmer with the dedicated cap.
13. Hook the towel warmer with the appropriate supports on the wall.
14. Connect the thermostat to the power supply. For versions without an electric plug it is necessary to install an appropriate device that ensures complete omnipolar disconnection in the conditions of the overvoltage category III.

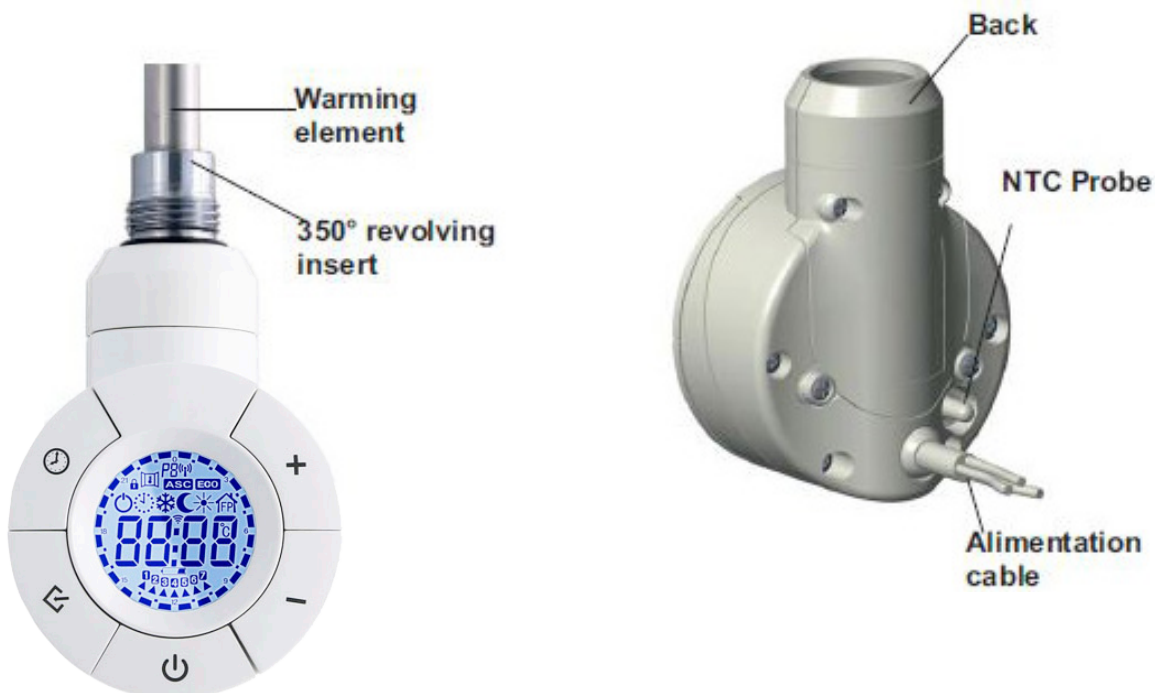


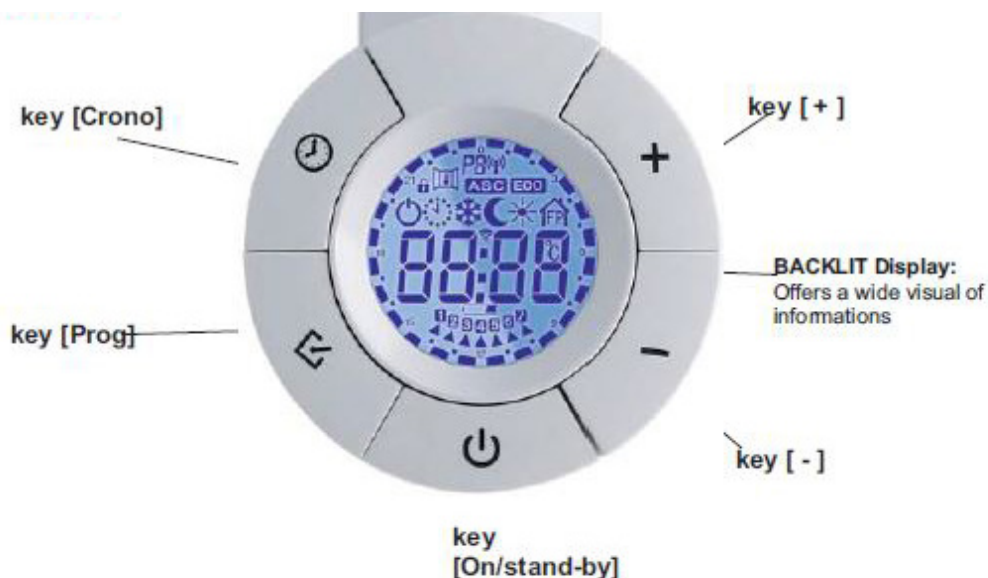
C. Disposal



This product may not be treated as ordinary household waste. It has to be disposed in proper waste collection sites. In case of replacement it shall be returned to the distributor. Such an end-of-life treatment of the product will preserve the environment and will reduce consumption of natural resources. This symbol applied to the present product indicates the obligation to bring it to a proper waste collection site, in order to let it be disposed according to 2012/19/UE (RAEE - WEEE) directives.

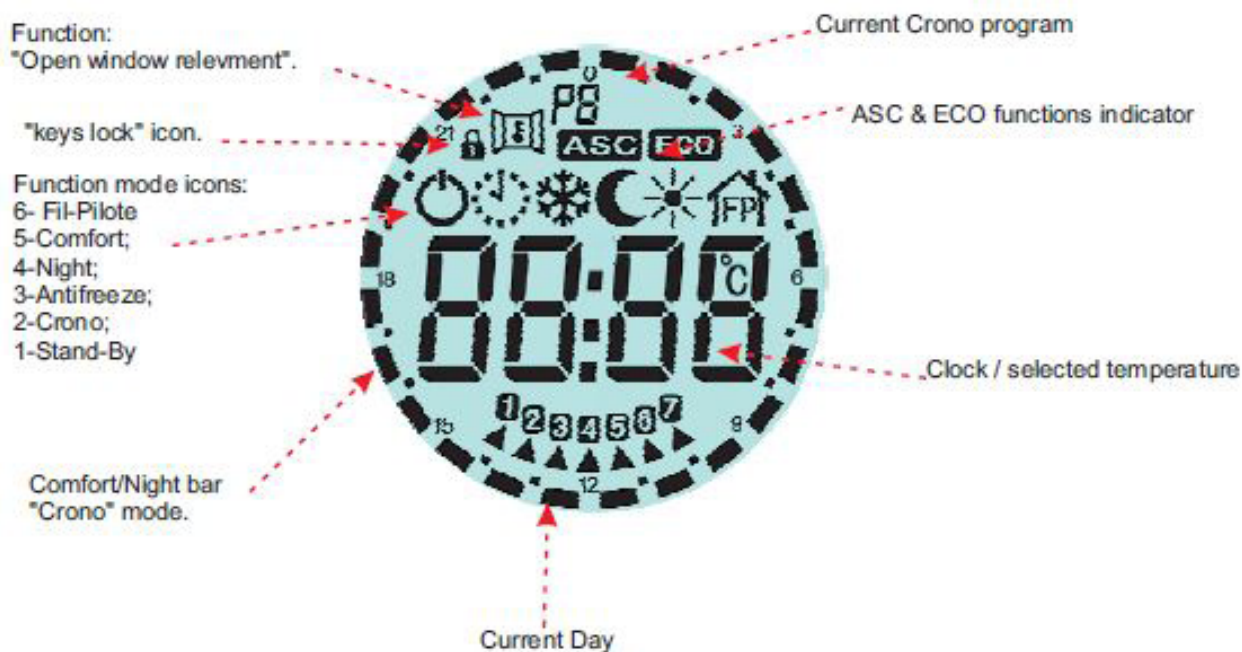
D. Description of the control





E. Operation of the control

1.ON/STAND-BY



Press the [On /Stand-by] key to turn on the unit or activate the "Stand-by" mode.

When it is active, the set mode and temperature are displayed. During "Stand-by" the display shows the symbol On/Off, the current time and the day of the week.

NOTE: When the device enters "Stand-by" mode, 2 sounds of 0.5 seconds are emitted.



When the device is switched on, it emits two sounds lasting one second.

2. COMFORT / NIGHT MODE

Two different temperature levels can be set:

- “COMFORT” TEMPERATURE: this is the temperature used for the “Chrono”, and “Comfort” modes.
- “NIGHT” TEMPERATURE: this is the temperature used for “Night” and “Chrono” modes.

The desired temperature setting can be set by pressing the [+] and [-] buttons.

The temperature regulation range is between 7 °C and 32 °C.

IMPORTANT!

The “Night” temperature is always lower than the “Comfort” temperature and the priority is assigned to the “Comfort” temperature. For this reason the “Night” temperature can be set in the range 7 °C ÷ (“Comfort” - 0.5 °C), on the contrary the “Comfort” temperature can be set within the entire range: (“Night” + 0,5 °C) to 32 °C.

3. OPERATIVE MODE

Press [Prog] to select the desired mode (see the picture).

				
On/Stand-By	Crono	Antifreeze	Night	Comfort

COMFORT MODE

The “Comfort” mode allows you to maintain the set room temperature.

To set this mode:

- Press the [Prog] key until the “Comfort” mode icon appears on the display.
- Set the desired temperature with the [+] and [-] buttons.

NIGHT MODE

In “Night” mode, a temperature lower than the “Comfort” temperature is set.

We recommend using this mode at night or when the room is not used for 2 hours or more.

- Press the [Prog] key until the “Night” icon appears on the display.
- Set the desired temperature with the [+] and [-] buttons.

ANTIFREEZE MODE

In the “Antifreeze” mode the temperature is set at 7 °C. The appliance activates the heating element when the room temperature drops below 7 °C. We recommend using this mode when the room is not used for several days.

- Press the [Prog] key until the “Antifreeze” icon appears on the display.

TIMER 2H MODE

The “2h Timer” mode can be used to quickly heat the room or speed up the drying of the wipes.

- Press the [Prog] key until the “2h” icon appears on the display.

The appliance is switched on at maximum power for 2 hours, but the ambient temperature, for safety reasons, can't be higher than 32°C. The “2h Timer” mode automatically stops after a period of 2 hours and return to the previously set operating mode. If necessary, the user can return to other modes at any time by simply pressing the [Prog] key.

CRONO MODE

a) Set the current day and time

- Activate the “Stand-by” mode and press the [Crono] key for more than 3 seconds.
- The display will show the words: “Ted”
- Press the [Prog] key to enter the mode. Set the current day with the [+] and [-] keys (from 1 to 7).
- Press the [Prog] button again to confirm.

The display now shows the current time to be confirmed.

‘Hours’: use the [+] and [-] keys to set the time and confirm with the [Prog] key.

‘Minutes’: repeat the same procedure and confirm with the [Prog] key.

- At the end the thermostat returns to “Stand-by” mode.

b) Set the program for the Crono mode:


- Enter “Stand-by” mode and press the [Crono] key for more than 3 seconds.
- At the top of the display you will see the words: “Ted”
- To set the time sequence of the “Chrono” mode, press the [+] key until that the word “Prog” (Programming) appears on the display. [See the photo on the right]
- Press the [Prog] key to enter the mode.

Now a time sequence can be set for each day of the week.

Starting with day 1, select the desired sequence with the keys [+] and [-] to select, for each hour, between the “Comfort” temperature (full bar) button [+] and the “Night” temperature (empty bar) [-] key.

Press [Prog] to confirm the first day setting, repeat the same procedure for the remaining 6 days of the week.

c) To use a predefined mode (P1 P2 P3) or the programmable mode (P4)

press the [Stand-By / ON] key and exit stand-by mode, press the [Prog] key until  symbol appears in the display. At the top of the display the program in use is displayed (from P1 to P4), programs are selected by pressing the [Crono] key, in the external part of the display you can see, for each program, the time operation bars of the indicated program.




Crono mode preset programs

	1	2	3	4	5	6	7	8	9	10	11	12	13	14	15	16	17	18	19	20	21	22	23	24	
P1							■	■	■	■								■	■	■	■	■	■	■	lun-ven sab-dom
								■	■	■	■	■	■	■	■	■	■	■	■	■	■	■	■	■	
P2								■	■	■	■	■	■	■	■	■	■	■	■	■					lun-ven sab-dom
P3							■	■	■	■				■	■	■	■	■	■	■	■	■	■	■	lun-ven sab-dom
								■	■	■	■	■	■	■	■	■	■	■	■	■	■	■	■	■	

KEYS LOCK

This feature allows the user to lock the keypad to prevent accidental changes. All buttons on the remote control are locked. To activate the key lock function, press [Prog] for 3 seconds. To deactivate the function, repeat the procedure.

OPEN WINDOW FUNCTION

The device allows to detect the presence of an open window to limit the energy consumption, to activate this mode, activate the Stand-by mode, press the [Crono] key for more than 3 seconds, scroll the modes with the key [+] and select FUNC with the [Prog] key, the window icon will flash in the upper left of the display, using the [+] key select ON/OFF, visible in the center of the display, and confirm with [Prog]. The icon  will be active during the thermostat operation, if the open window is detected, the icon will be flashing and the system will turn off the heating for a maximum of 30 minutes or until a temperature increase of at least 1, 5° C.

ASC FUNCTION

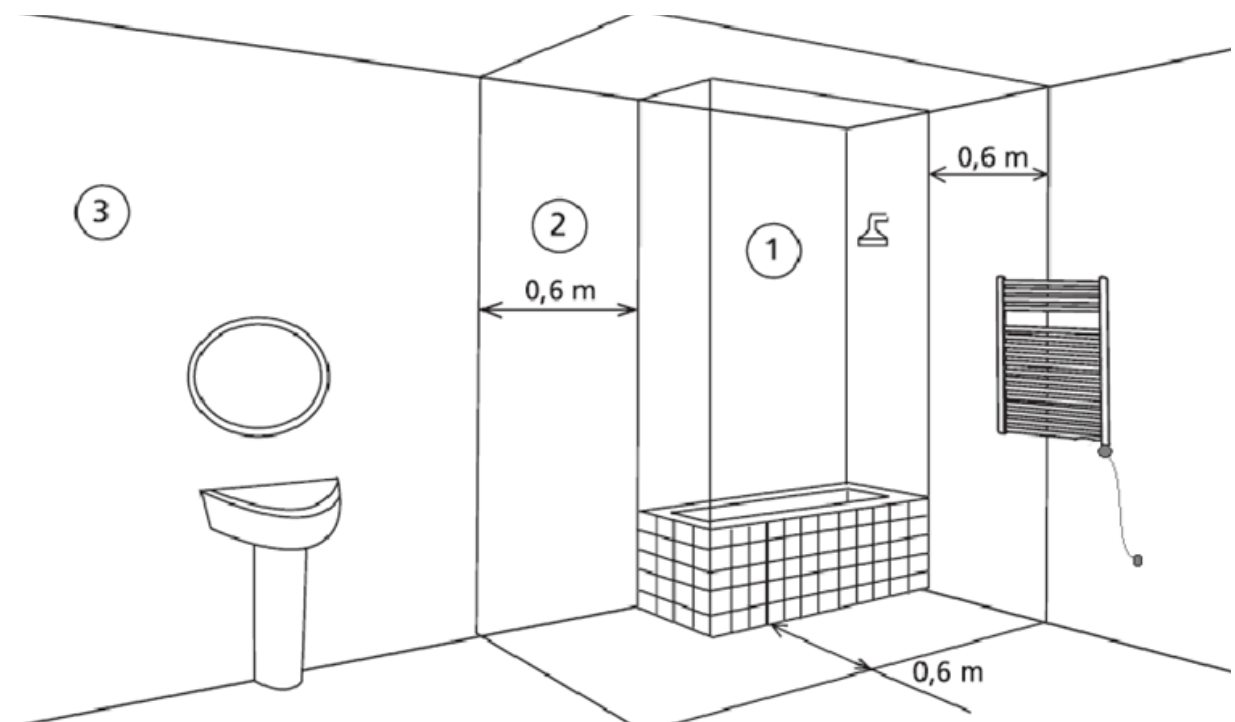
This function allows you to optimize the operating times of the device, in order to limit consumption, by activating this mode the device will record the time necessary to bring a specific room to the set temperature, adjusting its operation automatically, in this way thermostat can be activated after time setted if is possible to reach the desired temperature in less time than that foreseen by the operating time intervals that have been set. activate Stand-by mode, press the [Crono] key for more than 3 seconds, scroll through the modes with the [+] key and select FUNC with the [Prog] key, press it until the **ASC** icon appears on the upper part of the screen, select ON with the [+] key and press [Prog] again to confirm. After a few seconds, the remote control automatically returns to Stand-By mode.

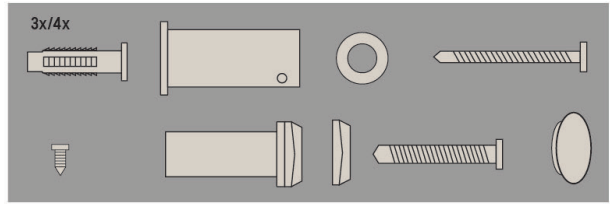
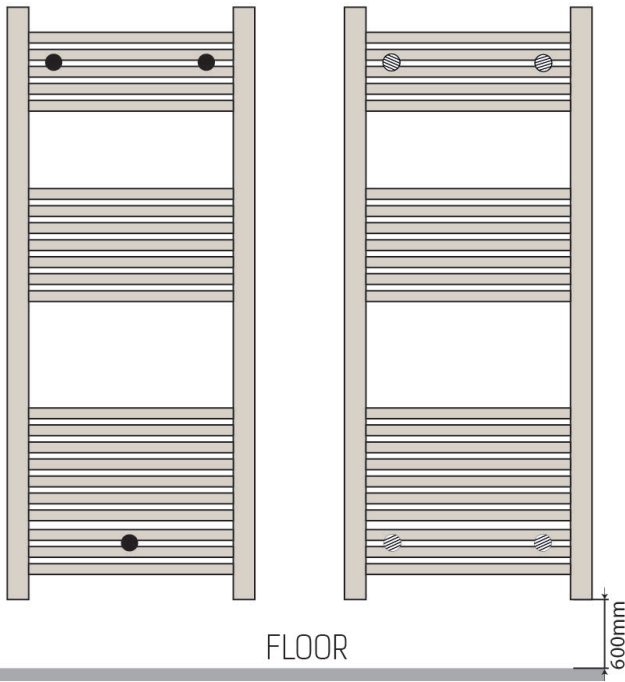
ECO MODE

This mode reduces the consumption of electricity at 3° C (Comfort - 3° C). in Stand-by mode, press the [Crono] key for more than 3 seconds, scroll the voices with the [+] key and select FUNC with the [Prog] key, press it until the ECO icon appears, select ON with the button [+] and press [Prog] again to confirm. After a few seconds, the remote control automatically returns to Stand-By mode.

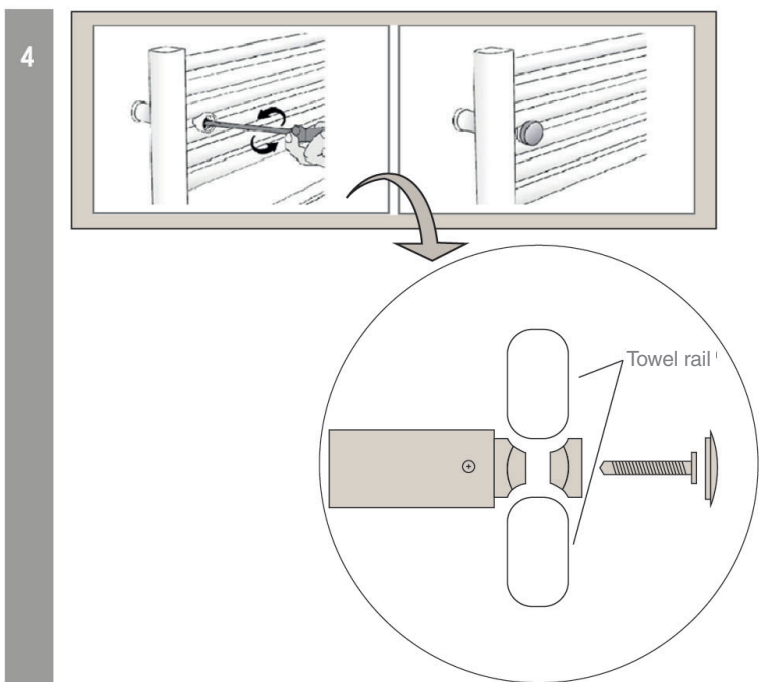
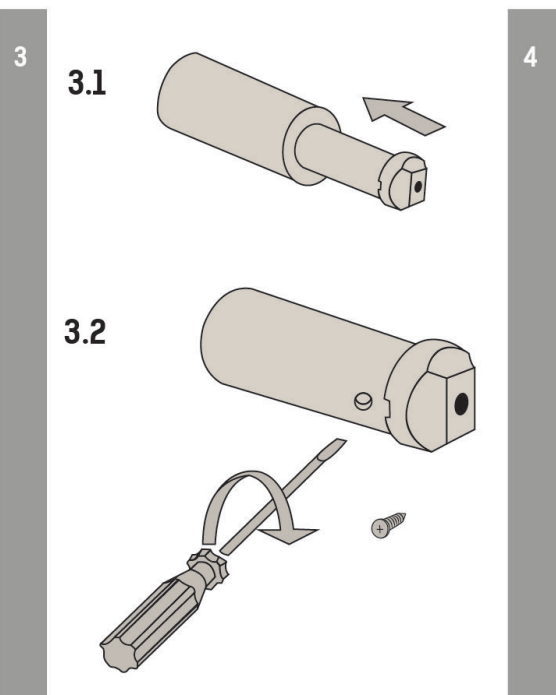
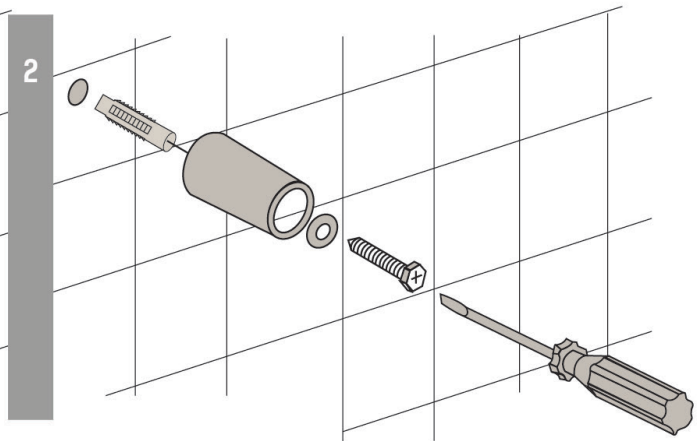
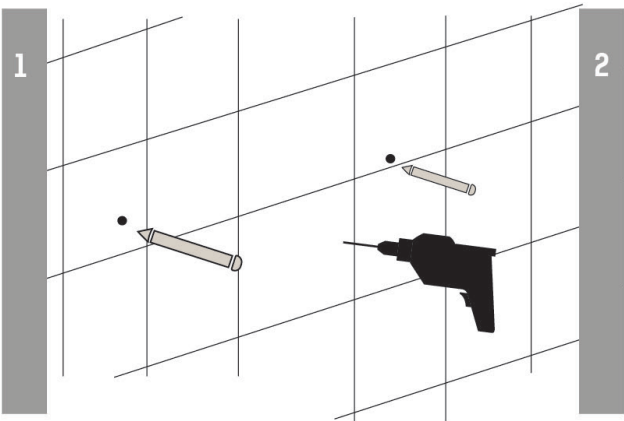
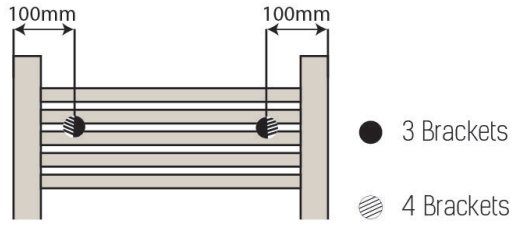
D. Assembly instructions

The towel rack can always be placed inside volume 3 (see figure). If placed inside volume 2, position yourself so that the control is out of this space. Under no circumstances can it be placed within volume 1.





The box can contain 3 or 4 wall brackets.



- Place the electric towel rail against the wall in the desired position. Using a pencil, mark your position on the wall around the support tubes. Make sure there is no wiring in the wall where you are going to drill.
- With the help of a suitable drill and drill, drill the holes in the tile / wall to the required depth.
- Important: the holes must be drilled correctly aligned and appropriate to the diameter of the block and the length of the wall anchor bolts.
- Insert the fixing plugs into the holes using a screwdriver. Repeat the procedure for each fixing support of the electric towel rail.
- Mount the electric towel rail once you have fixed the dowels in the desired place, then tighten the brackets with the anchor bolts.

WARRANTY

The company offers a technical guarantee for the period of 2 years. For this guarantee to be valid you must present the original invoice, delivery note or purchase receipt.

Previous requirements:

- The warranty covers only manufacturing defects or any problems caused by such defects.
- All problems arising from installation or insufficient power (room heating power, incorrect installation, etc.) is not sufficient.
- This radiator is for domestic use, installation in any other environment is not guaranteed.
- The manufacturer reserves the right to decide whether to repair any defective part or to replace the entire equipment.
- All costs resulting from damage caused by misuse, transportation, or improper power supply are not covered by this warranty.
- In the last case of recourse to legislation, both parties will be under the jurisdiction of the courts of the province of the manufacturer.

G. Eco Design

Item	Unit	Data			Value	
Type of heat output/room temperature control (select one)		Item	Symbol	Unit	400	700
Single stage heat output and no room temperature control	no	Heat output				
Two or more manual stages, no room temperature control	no	Nominal heat output	P_{nom}	kW	0,4	0,7
With mechanic thermostat room temperature control	no	Minimum heat output (indicative)	P_{min}	kW	0	0
With electronic room temperature control	no	Maximum continuous heat output	$P_{max,c}$	kW	0,4	0,7
Electronic room temperature control plus day timer	no	Auxiliary electricity consumption				
Electronic room temperature control plus week timer	yes	At nominal heat output	el_{max}	kW	0,4	0,7
Other control options (multiple selections possible)		At minimum heat output	el_{min}	kW	0	0
Room temperature control, with presence detection	no	In standby mode	el_{SB}	kW	0,00043	0,00043
Room temperature control, with open window detection	yes					
With distance control option	no					
With adaptive start control	yes					
With working time limitation	yes					
With black bulb sensor	no					
Contact details: See back cover						



Address PremSpec House, West Point Industrial Estate, Penarth Road, Cardiff, CF11 8JQ

Phone: 029 21 303 710

Website: www.premspec.co.uk

email: ascot@premspec.co.uk